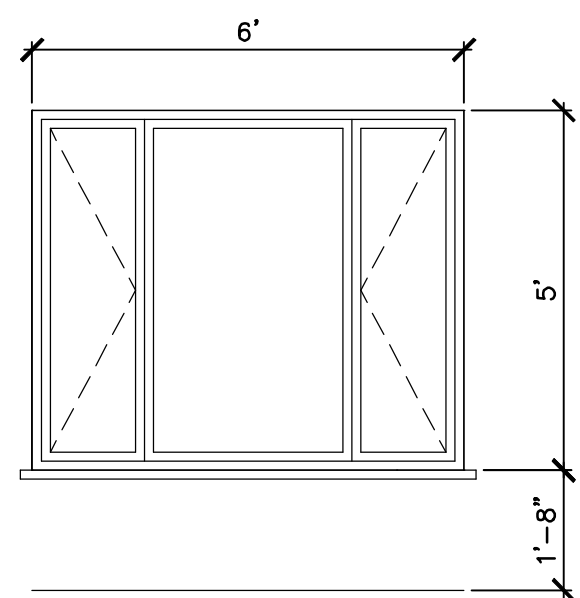
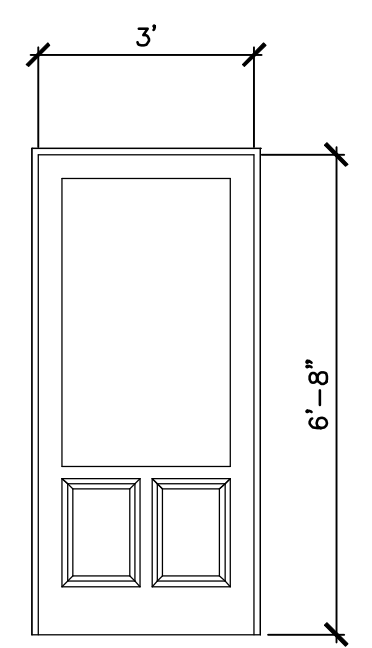


TYP. SUITE BEDROOM  
3/8" = 1'-0"

NOTE:  
- ALL WINDOWS TO BE ENERGY STAR  
ZONE C OR D

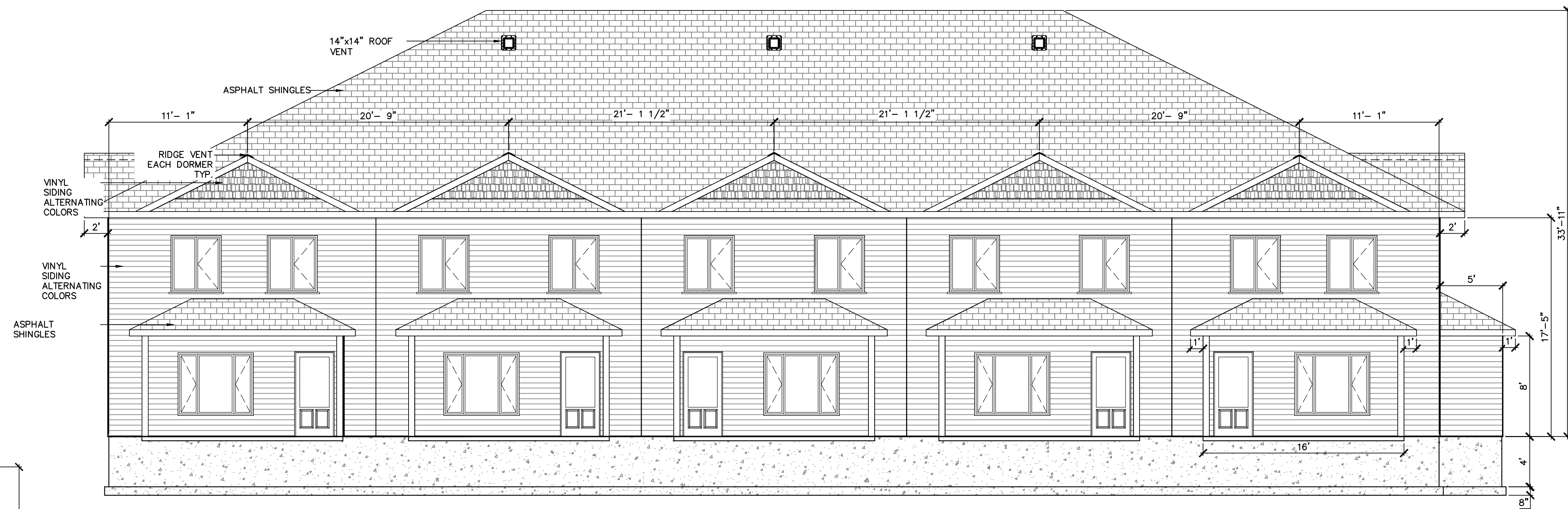


TYP. SUITE LIVING / DINING ROOM  
3/8" = 1'-0"



TYP. EXT ENTRY  
3/8" = 1'-0"

NOTE:  
EXTERIOR DOOR  
c/w CLOSER



1 EAST ELEVATION  
D-1 3/16" = 1'-0"



2 WEST ELEVATION  
D-1 3/16" = 1'-0"

GENERAL NOTES:

SEE COVER SHEET FOR ALL NOTES

1	C.O.F / CLIENT	CONSTRUCTION
0	C.O.F / CLIENT	CONSTRUCTION
Rev.	Issued To	Issued For
DOCUMENT HISTORY		

1	Cladding Styles	F.S	05/26/17
1	Added roof & ridge vents	F.S	05/04/17
No.	Description	By	Date
REVISIONS			

Stamp:

**FOR CONSTRUCTION**  
JULY 29, 2024

CONSULTING ENGINEERS & SURVEYORS  
**SURTEK GROUP LTD.**

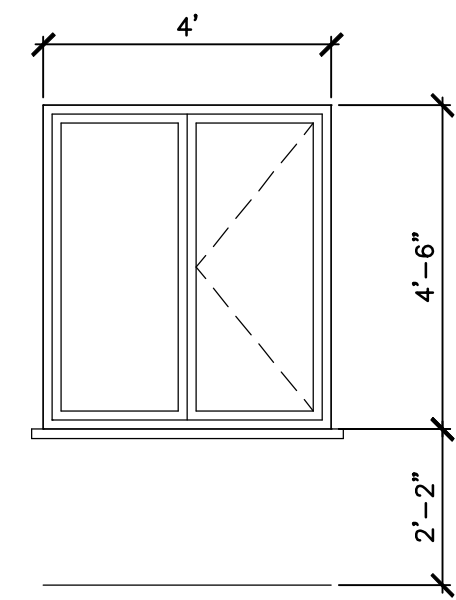
411-101 St. Mary's Street  
Fredericton, NB E3A 8H4

Phone: 454-7044  
Email: Office@SurTek.ca

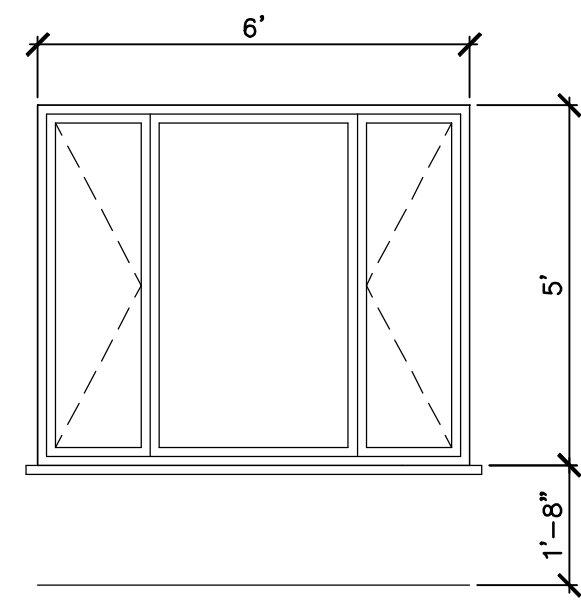
OAKRIDGE  
MANUFACTURING

10 UNIT TOWN HOUSES  
LIAN STREET  
EAST & WEST  
ELEVATION

Drawn By:	C. M.	Date Issued:	JULY 29, 2024
Checked By:	T. K.	Revision No.:	1
Date:	JULY 29, 2024	Approved:	
Scale:	AS SHOWN	Drawing No.:	
Job No.:	14013		14013-D-01

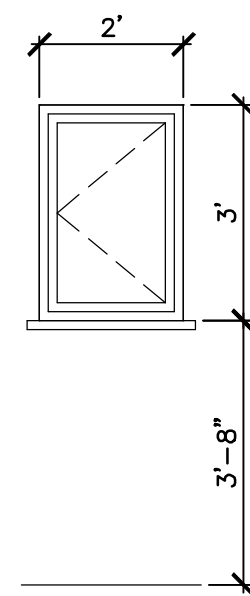


TYP. SUITE BEDROOM  
3/8" = 1'-0"

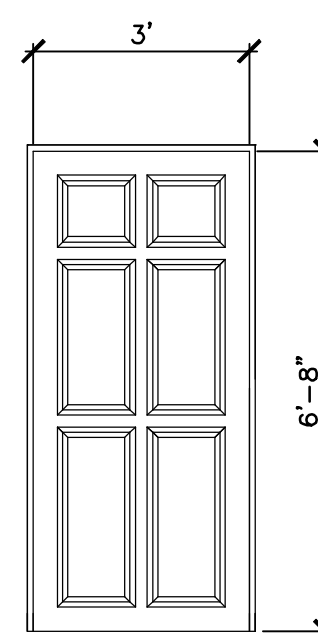


TYP. SUITE LIVING / DINING ROOM  
3/8" = 1'-0"

NOTE:  
- ALL WINDOWS TO BE ENERGY STAR  
ZONE C OR D



TYP. SUITE BATHROOM  
3/8" = 1'-0"



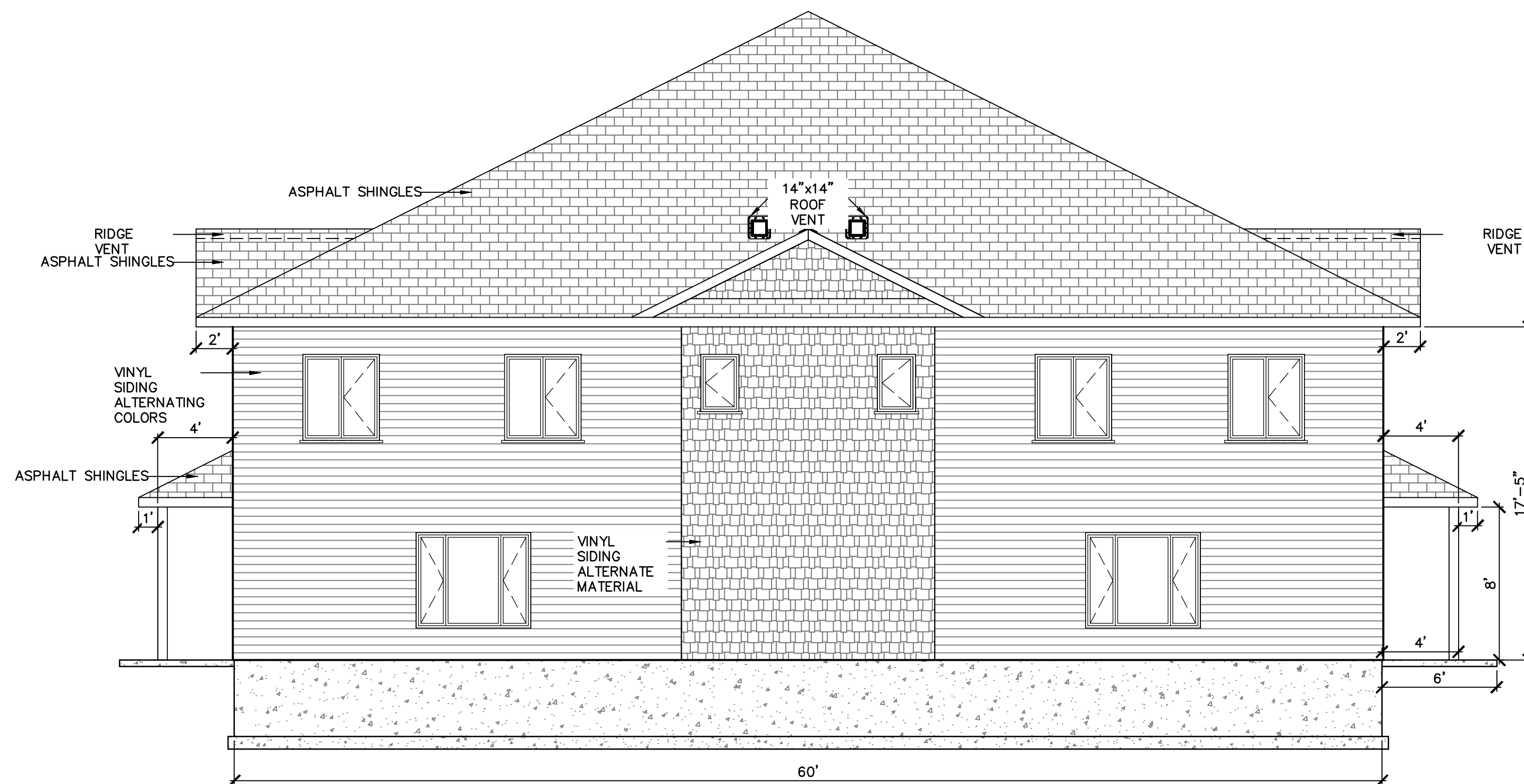
TYP. EXT SERVICE  
ROOM  
1'-0"

NOTE:  
45 MIN F.R.R. DOOR &  
FRAME  
c/w PANIC HDW. &  
CLOSER  
HOLLOW CORE METAL

NOTE:  
- ALL DOORS TO BE ENERGY STAR  
ZONE C OR D



1 NORTH ELEVATION  
D-2 3/16" = 1'-0"



1 SOUTH ELEVATION  
D-2 3/16" = 1'-0"

GENERAL NOTES:

SEE COVER SHEET FOR ALL NOTES

1	C.O.F / CLIENT	CONSTRUCTION
0	C.O.F / CLIENT	CONSTRUCTION
Rev.	Issued To	Issued For

DOCUMENT HISTORY

1	End dormers & cladding styles	F.S	05/26/17
1	Added roof & ridge vents	F.S	05/04/17
No.	Description	By	Date

REVISIONS

Stamp:

**FOR CONSTRUCTION**  
JULY 29, 2024

CONSULTING ENGINEERS & SURVEYORS  
**SURTEK GROUP LTD.**

411-101 St. Mary's Street  
Fredericton, NB E3A 8H4  
Phone: 454-7044  
Email: Office@SurTek.ca

OAKRIDGE  
MANUFACTURING

10 UNIT TOWN HOUSES  
LIAN STREET  
NORTH & SOUTH  
ELEVATION

Drawn By:	C. M.	Date Issued:	JULY 29, 2024
Checked By:	T. K.	Revision No.:	1
Date:	JULY 29, 2024	Approved:	
Scale:	AS SHOWN	Drawing No.:	
Job No.:	14013		14013-D-02